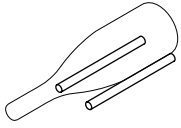


# XY™ HARDWARE



## BOTTLE CAPACITY

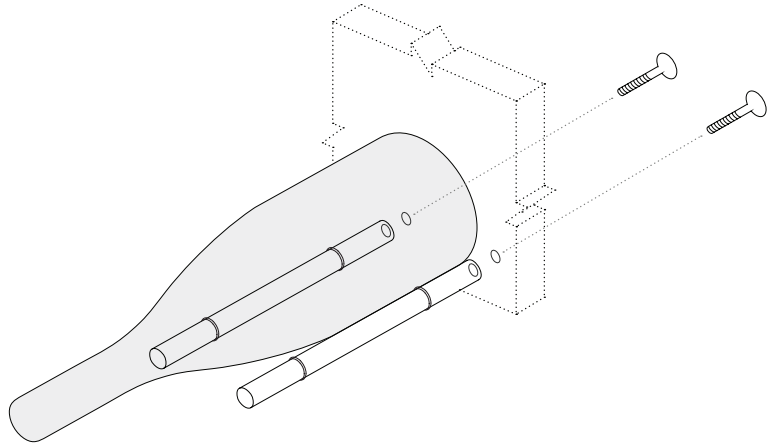
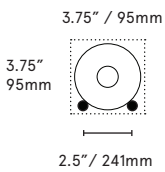
One 750ml bottle per pair.

## HARDWARE DIMENSIONS

7" (L) X .5" Ø

178mm (L) X 13mm Ø

## MINIMUM SPACING



## COLORS/FINISHES



Available in black or brushed

## MATERIALS

6061-T6 aluminum with custom silicone o-rings; Made in Canada

## MOUNTING HARDWARE

35mm connector bolts or threaded inserts and threaded studs  
Requires a .75" / 19mm panel

## PANEL OPTIONS:

Any non-compressing panel material is suitable for use with all Vin De Garde hardware

ie. wood, mdf, acrylic, steel, aluminum

**XY™ Hardware offers the highest capacity bottle storage available. The sleek solid aluminum hardware and considered linear design make for refined yet functional cellars. Two custom silicone o-rings per rod ensure that each point of contact with the bottle is snug and stable. Each bottle is stored on two rods perpendicular to the wall, with the cork facing the connoisseur.**