

XY 3/3 INSTALLATION



SUPPLIED PARTS

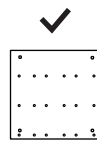
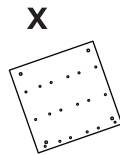
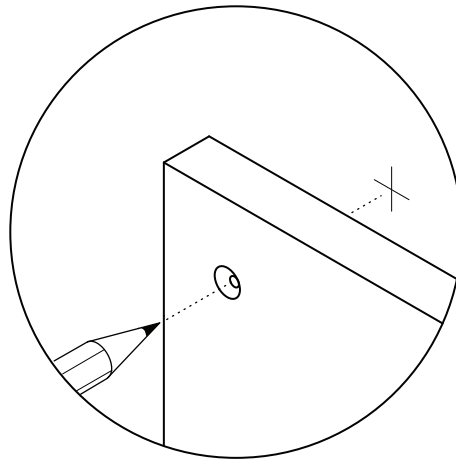
- ACRYLIC PANEL x1
- MDF PANEL x1
- ALUMINUM RODS x18
- DRYWALL ANCHORS x4
- SCREWS x4

RECOMMENDED TOOLS

- HAMMER
- DRILL W/ PHILLIPS BIT
- LEVEL

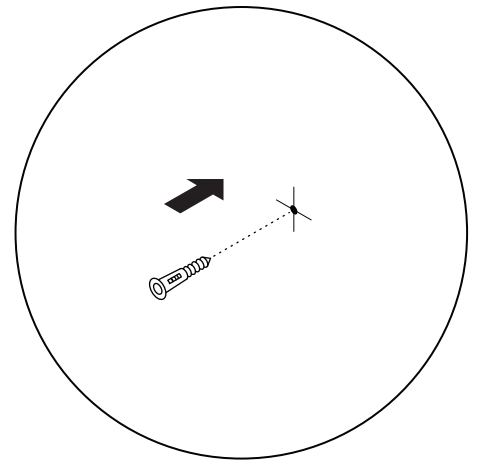
1.

LEVEL PANEL ON WALL.
MARK THE 4 ANCHOR
LOCATIONS.



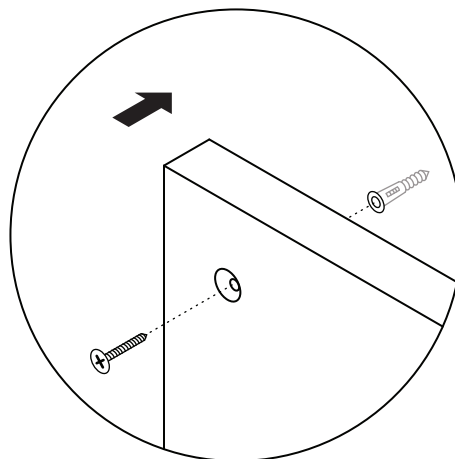
2.

PRE-DRILL WALL WITH 3/16"
BIT AND HAMMER IN ANCHORS.



3.

ATTACH MDF PANEL WITH
SUPPLIED SCREWS.



4.

MOUNT THE ACRYLIC PANEL
BY HAND WINDING IN THE
ALUMINUM RODS.

