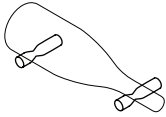


NEK RITE™ ONE



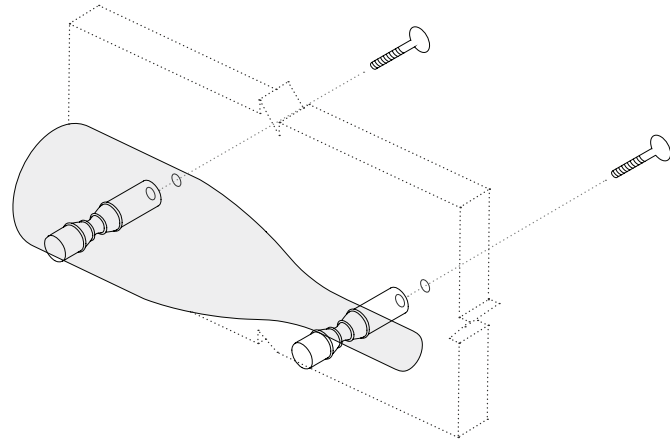
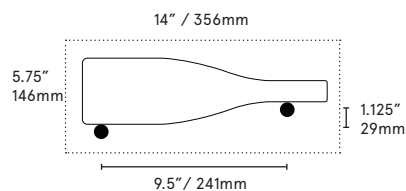
BOTTLE CAPACITY

One 750ml bottle per pair.

HARDWARE DIMENSIONS

4.5" (L) X .75" Ø
114mm (L) X 19mm Ø

MINIMUM SPACING



COLORS/FINISHES



Available in black or brushed

MATERIALS

6061-T6 aluminum with custom silicone o-rings; Made in Canada

MOUNTING HARDWARE

35mm connector bolts or threaded inserts and threaded studs
Requires a .75" / 19mm panel

PANEL OPTIONS:

Any non-compressing panel material is suitable for use with all Vin De Garde hardware

ie. wood, mdf, acrylic, steel, aluminum

The Nek Rite™ 1 is ideal for featuring your best labels. Each rod is fabricated and designed to support the neck and punt of the bottle with one specialized shape. Four custom silicone o-rings per rod ensure that each point of contact with the bottle is snug and stable. Every pair of grooved rods displays a single bottle horizontally, with the label facing the connoisseur.