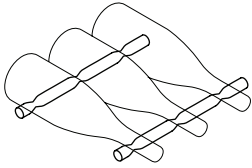


NEK RITE™ THREE



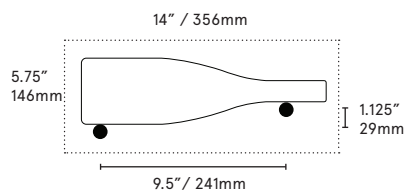
BOTTLE CAPACITY

Three 750ml bottles per pair.

HARDWARE DIMENSIONS

11.5" (L) X .75" Ø
292mm (L) X 19mm Ø

MINIMUM SPACING



COLORS/FINISHES



Available in black or brushed

MATERIALS

6061-T6 aluminum with custom silicone o-rings; Made in Canada

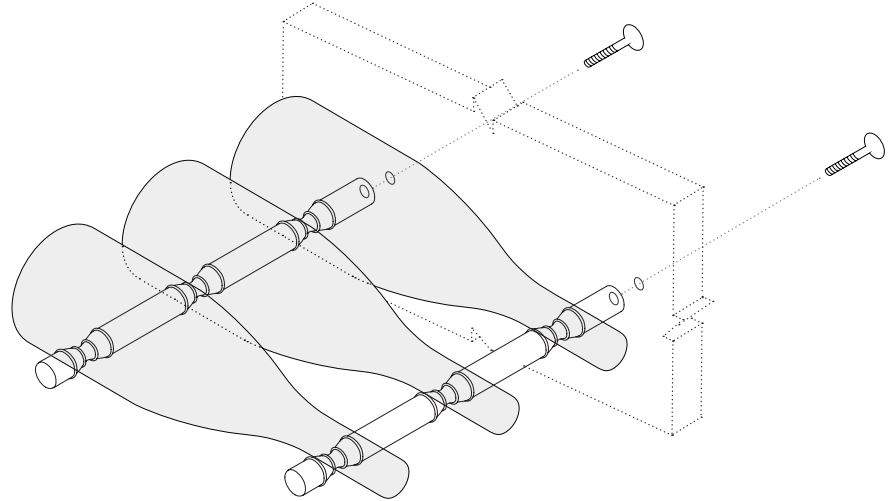
MOUNTING HARDWARE

35mm connector bolts or threaded inserts and threaded studs
Requires a .75" / 19mm panel

PANEL OPTIONS:

Any non-compressing panel material is suitable for use with all Vin De Garde hardware

ie. wood, mdf, acrylic, steel, aluminum



The Nek Rite™ 3 is our flagship design and is ideal for connoisseurs looking to accommodate a considerable collection while featuring their most revered labels. Each rod is designed and fabricated to support the neck and punt of the bottle with one specialized shape. Twelve custom silicone o-rings per rod ensure that each point of contact with the bottle is snug and stable. Every pair of grooved rods displays three bottles horizontally, with the label facing the connoisseur.